

SA-BC1103 F series

SS316L full-HD fixed intelligent IP camera

- ✓ Corrosion protected 316L stainless steel
- ✓ Low maintenance
- ✓ 3 Megapixel IP camera, 60 frames per second
- ✓ 2.5 - 13.2 mm varifocal, remote focus
- ✓ True Day/Night with IRC
- ✓ Integrated heater
- ✓ Optional wiper and washer tank
- ✓ Direct to Fiber (optional)
- ✓ ONVIF profile S and G compliant



Description

The SA-BC1103 F is a 3 Megapixel HD IP camera built in a fixed housing designed for use in onshore, offshore, marine and heavy industrial environments. The camera housing is constructed from electro-polished 316L stainless steel for maximum corrosion protection and is fitted as standard with sunshield and a thermostatically controlled heater element. The camera can optionally be fitted with a wiper, washer tank and direct to optical fiber cable.

Corrosion free 316L construction

The SA-BC1103 housing is suited to be used in salty or sulphur rich environments. 100% of the camera housing is made of corrosion proof 316L steel.

Integrated HD box camera

Fitted as standard, the SA-BC1103 F is equipped with an intelligent 3 Megapixel (2048x1536), IP day/ night camera. The varifocal lens realizes the optimum field of view, crisp sharp in focus using the remote Auto Back Focus feature. The camera is both ONVIF Profile S and Profile G compliant for ease of integration.

Multi-stream high-definition

The integrated camera has multi-stream capability for simultaneous streaming of H.264/H.264 or H.264/MJPEG. Multiple combinations of resolution and frame rate can be configured to satisfy different live viewing and recording scenarios.

Image enhancement

The camera provides automatic day/night functionality for use in low light situations. Backlight compensation enhances the image in difficult lighting situations. The WDR exposure mode brings out details in dark areas and details in the bright areas by combining the best of two exposures.

Intelligent features

The camera features an extensive set of intelligent video analysis, assisting the operator to detect anomalies and watch over your safety.

Video management

The SA-BC1103 F can be used in conjunction with the VDG Sense video management solution, and is also designed to be compatible with most common video management systems.

Washer/Wiper option

The SA-BC1103 F-WW camera version is equipped with wiper and prepared to fix a washer hose and nozzle. The pressurized 10 litre washer tank, including hose and nozzle is sold separately.

Direct to fiber

As an option the camera can be fitted with a 100FX optical fiber connection. The duplex single mode fiber is preconfigured with dual LC connectors.

SA-BC1103 F series

SS316L full-HD fixed intelligent IP camera

Camera housing

Ingress protection rating	IP66/ IP67
Body material	Electro-polished 316L stainless steel
Sunshield	Standard
Internal demister/heater	Standard
Wiper	Optional (F-WW version only)
Washer system	Optional (SA-WP10-10m-VSF-24 v2)
Operating temperature	-20 °C to +60 °C
"Dry heat" test	+75 °C, 2 days
Weight	
SA-BC1103 F 24	7 kg
SA-BC1103 F-WW 24	8 kg

Electrical

Supply voltage	24 V~ 50/60 Hz; 115 V~ 50/60 Hz; 230 V~ 50/60 Hz
Power consumption	25 W maximum
Electrical connections	Internal terminal block

Camera

Image sensor	1/2.8" Progressive scan CMOS
Effective pixels	2048 (H) x 1536 (V)
Shutter speed	1 - 1/10000 s
Minimum scene illumination	0.05 lux (colour), 0.005 lux (b/w), F/1.2
Dynamic range (WDR)	120 dB
Lens	Varifocal F/1.2
Lens focal length	2.8 mm to 8 mm
Horizontal field of view	124.3° - 43.0°
Focus	Auto Backfocus
Features	BLC, HLC, defog, auto/manual white balance, (3D/2D) noise, Smart IR
Exposure	Auto (iris or shutter priority) / Manual
Day/Night (IR-cut filter)	Auto/night/day

Intelligent Features

Line crossing	Virtual fence, directional fence
Regions of Interest	Enter an ROI or loitering in an ROI
	Enter an ROI
	Exiting an ROI
	Unattended luggage in ROI
	Object removal in ROI
Tempering detection	Scene change, defocus
Recognition	Face detection
Statistics	Object counting (entering/exiting)

SA-BC1103 F series

SS316L full-HD fixed intelligent IP camera

Video			
Compression algorithm(s)	H.264 (baseline / main / high profile); MJPEG		
Supported resolutions	1920x1080 (1080p); 1280x1024; 1280x720 (720p); 1024x768; 800x600; 720x576 (D1); 640x480; 352x288 (CIF)		
streaming:	Stream 1	Stream 2	Stream 3
H.264 instances	2048x1536p45 1920x1080p60	1080x1920p60 1920x1080p60	1280x720p10 1280x720p10
MJPEG	One of the above resolution formats in each instances can be MJPEG instead of H.264 if the resolution is lower than or equal to 1920x1080		
Compression bit rate control	Constant bit rate (CBR), variable bit rate (VBR)		
Output bit rate (per H.264 stream)	32 kbps – 16 Mb/s		
Number of video output streams	Up to 20 (RTSP)		
Video frame rate	1 to 60 fps / 1 to 50 fps		
Picture overlay	Yes		
Privacy masks	4		
Onboard storage	Empty micro SDHC/SDXC slot (128GB); ONVIF Profile G		
Network			
Interface(s)	10/100 Mb Ethernet (RJ-45) Optional 100FX fiber (2SM, internal dual LC SFP)		
Protocols	IPv4/v6, TCP/IP, UDP, RTP, RTSP, HTTP, HTTPS, ICMP, DHCP, PPPoE, UPnP, IGMP, SNMP, IEEE 802.1x, QoS, ONVIF P & G		
Password levels	User and Administrator		
Supported browsers	Internet Explorer (6.0+), Chrome, Firefox, Safari		
User accounts	20		
Order information			
SA-BC1103 F 24	316L fixed Intelligent IP 3MP, 24Vac		
SA-BC1103 F-WW 24	316L fixed Intelligent wiper IP 3MP, 24Vac		
SA-BC1103 F 24 2SM	316L fixed Intelligent IP 3MP, 24Vac 2SM		
SA-BC1103 F-WW 24 2SM	316L fixed wiper Intelligent IP 3MP, 24Vac 2SM		
<i>For 115 Vac or 230 Vac option</i>	<i>Replace 24 with 115 or 230 respectively</i>		

SA-BC1103 F series

SS316L full-HD fixed intelligent IP camera

Accessories

SA pole mounting adapter F



316L pole mounting adapter for SA wall mounting bracket F

SA wall mounting bracket F



316L wall mounting bracket for SA fixed camera housings

SA ceiling mounting bracket F



316L ceiling mounting bracket for SA fixed camera housings

SA Pole Top Mounting F

316L pole top mount with swivel joint for SA fixed camera housings

SA-WP10-10m-VSF-24 v2



10 liters washer tank, pump 10 m delivery head, 316L frame, 24 Vac

Maintenance & replacement kits

EX/SA-MK Wiper

Maintenance kit for the wiper: Rubber blade and support

EX/SA-Wiper

Replacement for Stainless steel wiper (complete assembly)

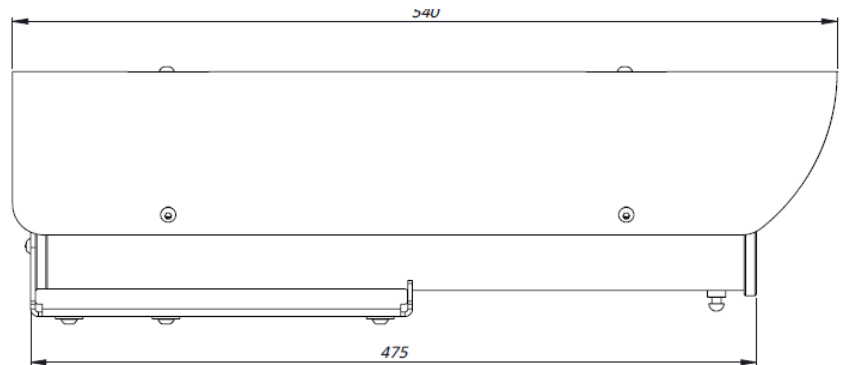
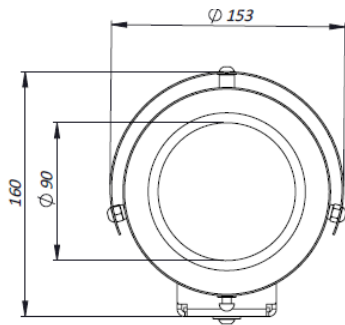
SA-MK F

Maintenance kit SA Fixed camera: O-Ring, screws, 2 cable glands, desiccant bags

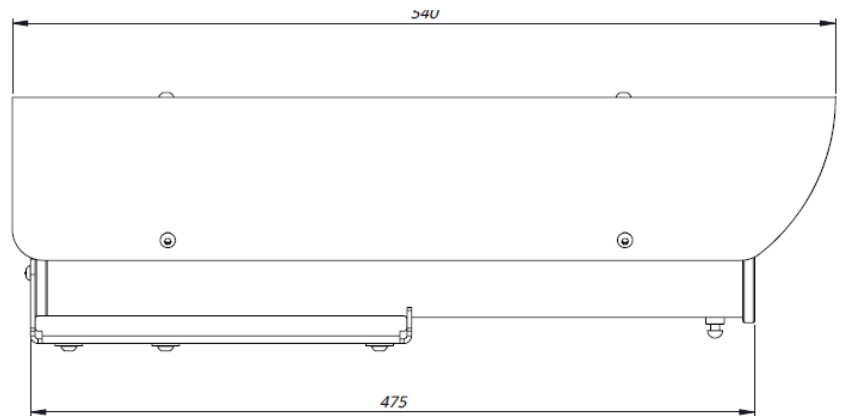
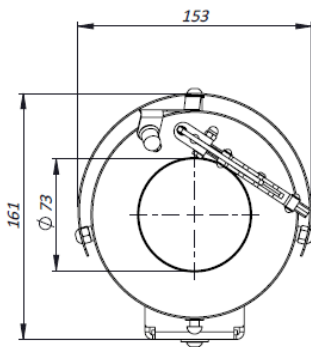
SA-BC1103 F series

SS316L full-HD fixed intelligent IP camera

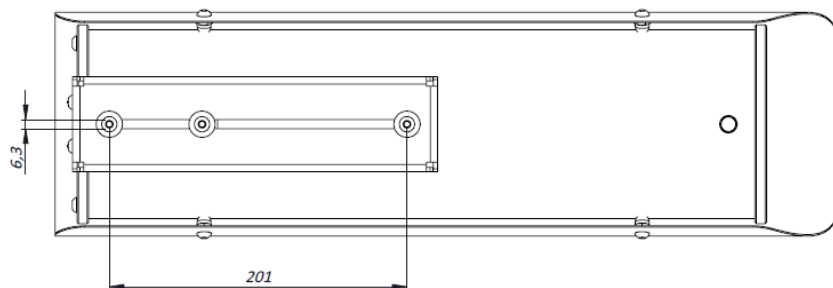
SA-BC1103 F series



SA-BC1103 F-WW series



Mounting pattern



All dimensions in mm



The quality management system used in the development, production, sales, and support of this product is ISO 9001:2008 certified by LRQA.
© Siquira B. V. – January 2017 Version PRELIMINARY 0.1 - Subject to modification.

